



« 1992 Mustang Table of Contents »

«Group 01: BODY»

«Section 01-20B: Restraints, Passive--Supplemental Air Bag System»

«DIAGNOSIS AND TESTING»

Print Diagnostic Routine

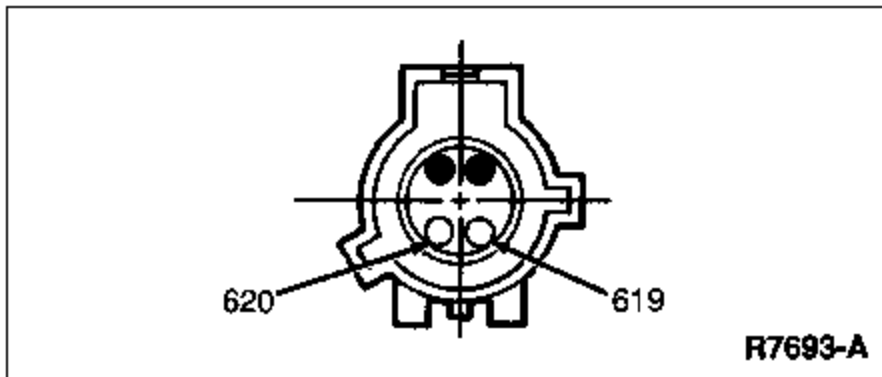
PINPOINT TEST O: FAULT INDICATION--AIR BAG INDICATOR FLASHES FAULT CODE 45--PROBABLE FAULT--CENTER FRONT CRASH SENSOR NOT MOUNTED TO VEHICLE PROPERLY

O2 CHECK CENTER FRONT CRASH SENSOR

- Disconnect center front crash sensor.
- Measure resistance from center front crash sensor connector Circuit 620 (P/LB) to ground.
- **Is resistance less than 2 ohms?**

NOTE:

Circuit 622 wire color is P/LG on sensor connector.



Yes

LOCATE and SERVICE open in Circuit 620 (P/LB). RECONNECT system. VERIFY system. REACTIVATE system.

No

GO to «O3».
